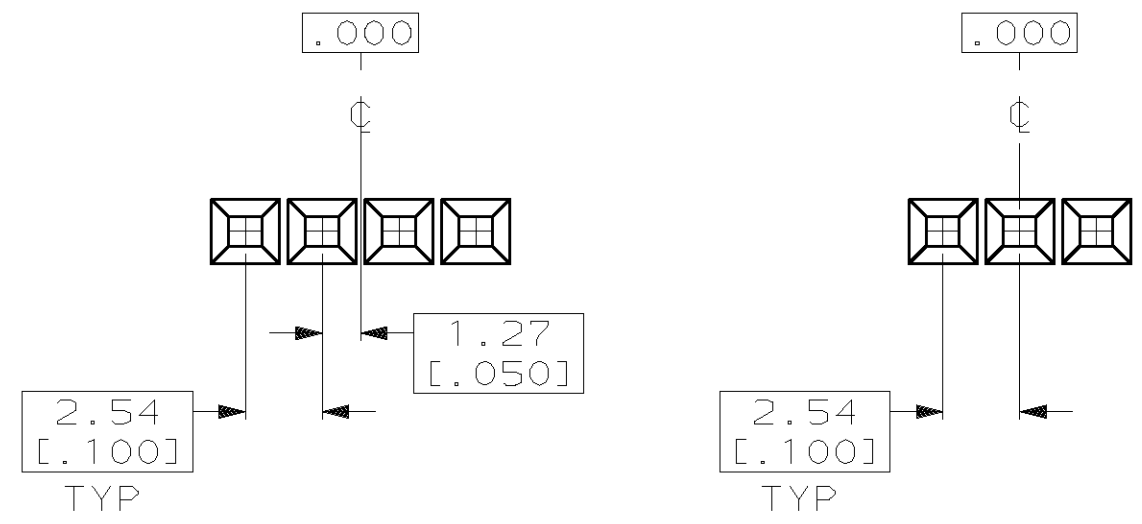


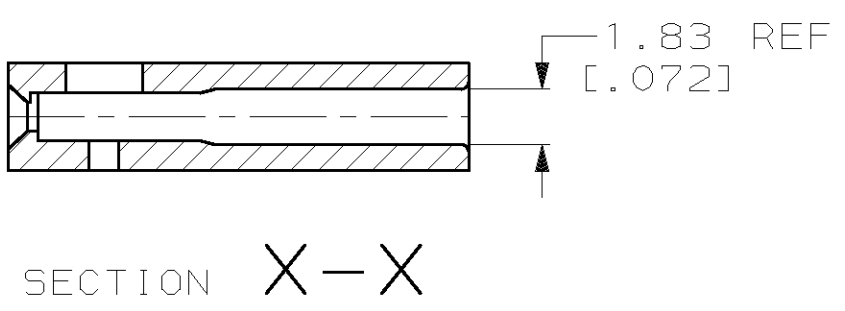
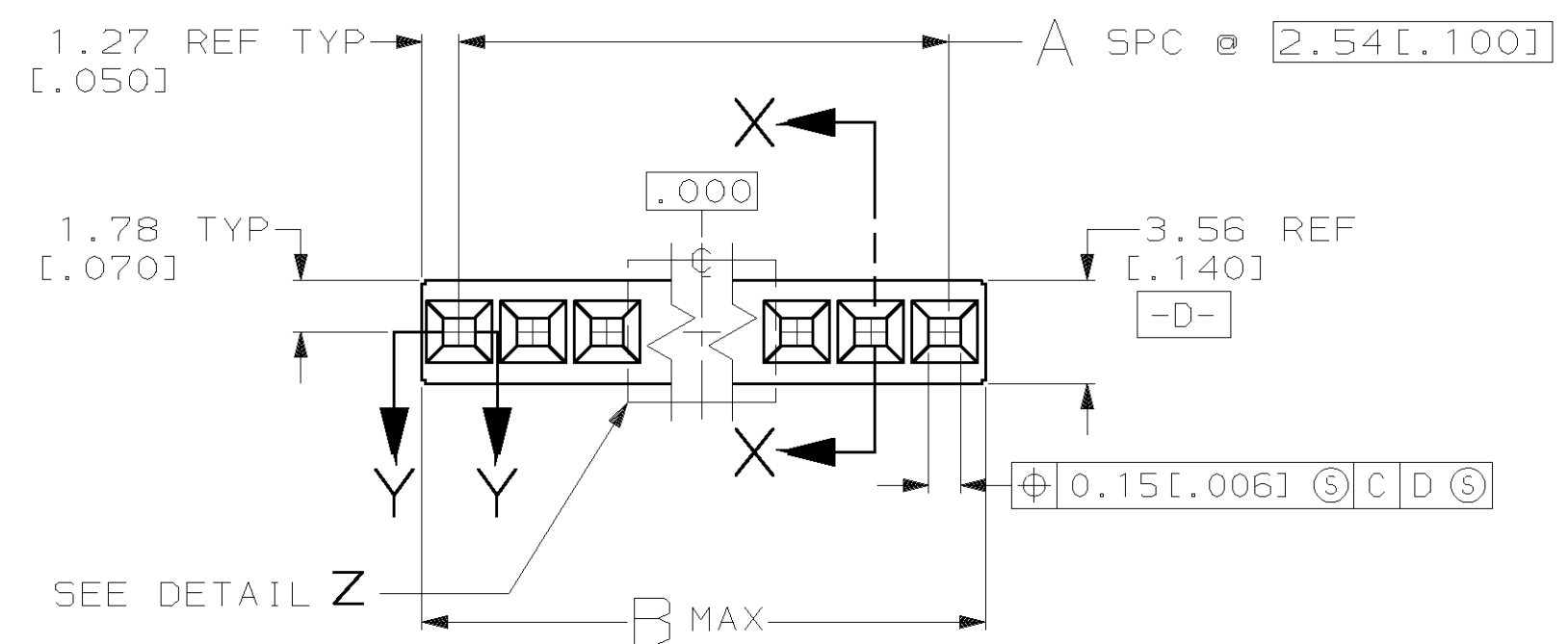
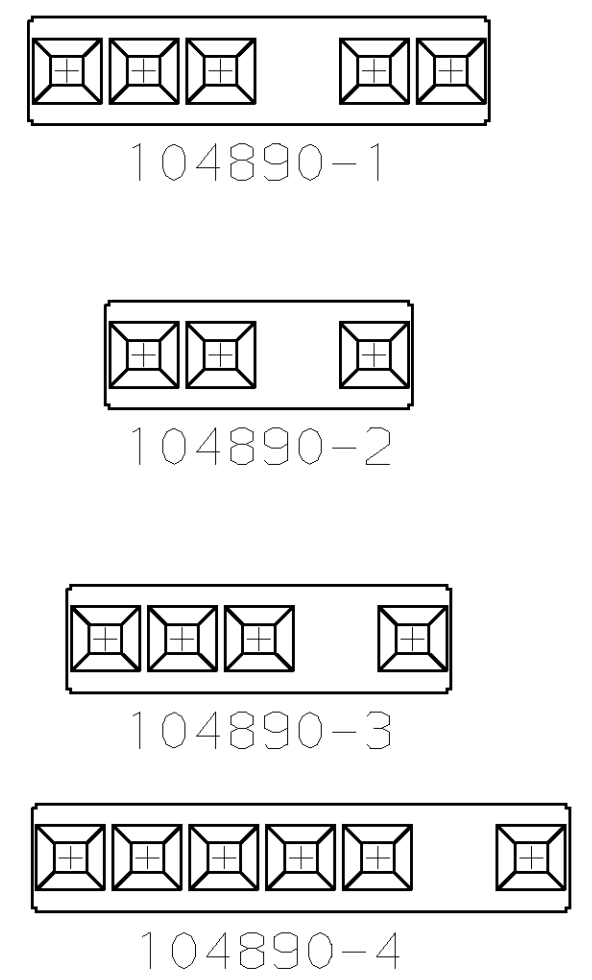
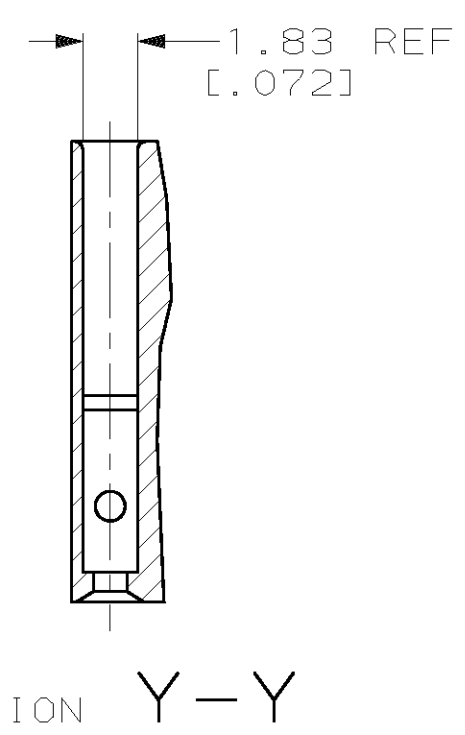
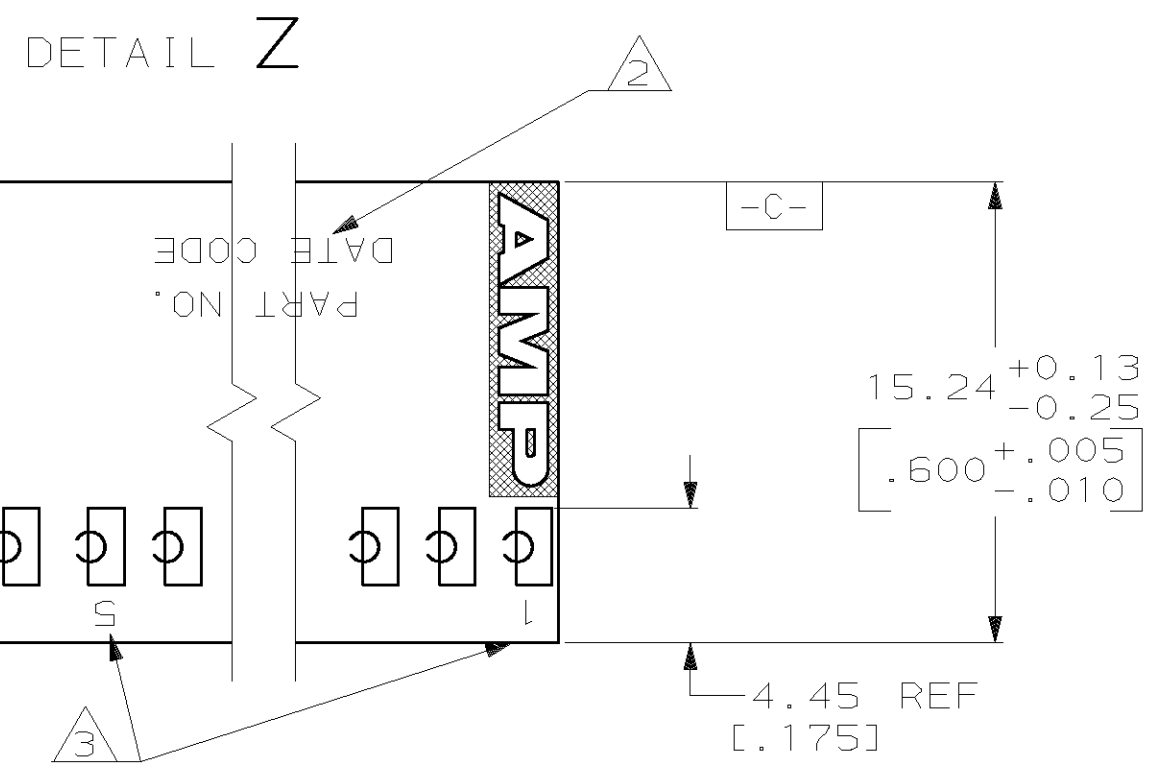
MOD	LOC	DIST	P	F	ZONE	LTR	DESCRIPTION	DATE	APPD
30	AD	39				G	REV PER 063C-0200-04	14OCT04	JR/DS



BASIC DIMENSION FOR ODD NUMBER OF SPACES (SEE TABLE)

BASIC DIMENSION FOR EVEN NUMBER OF SPACES (SEE TABLE)

- USE EXTRACTION TOOL 91052-1 TO REMOVE RECEPTACLE CONTACTS.
- INK MARK PART NO. AND DATE CODE .062±.015 HIGH CHARACTERS, IN APPROXIMATE AREA SHOWN.
- INK MARK CAVITY IDENTIFICATION .046±.015 HIGH CHARACTERS, FIRST AND EVERY FIFTH CAVITY, ONE SIDE ONLY AS SHOWN.



NO. OF POSN	PART NUMBER	MARKING	SIZE	NO. OF POSN	PART NUMBER
6	104890-4	△ 2 △ 3	17.91 [0.705]	7	104890-4
4	104890-3	-	12.83 [0.505]	5	104890-3
3	104890-2	-	10.29 [0.405]	4	104890-2
5	104890-1	-	15.37 [0.605]	6	104890-1
UNMARKED IN PROCESS P/N	UNMARKED IN PROCESS P/N	MARKING	B	A	NO. OF POSN

DO NOT SCALE PRINT. UNLESS SPECIFIED DIMENSIONS IN MILLIMETERS TOLERANCES ON : 2 PLC DEC ± 0.13 [0.005] 3 PLC DEC ± - ANGLES ± -		DR 3-29-93 H.BAKERMANS CHK 5-10-93 P. SREMCICH APPD 5-10-93 P. SREMCICH APPD 5-10-93 D. DUPLER		AMP AMP INCORPORATED Harrisburg, Pa. 17105	
MATERIAL GLASS FILLED NYLON COLOR-BLACK PER ASTM D4066		PRODUCT SPEC -		NAME HOUSING, MOD IV, SINGLE ROW, 2.54[.100] CL, CRIMP SNAP-IN	
FINISH -		APPLICATION SPEC -		SIZE C	FSCM NO 00779
		WEIGHT -		SCALE 4:1	DRAWING NO 104890
				SHEET 1 OF 1	